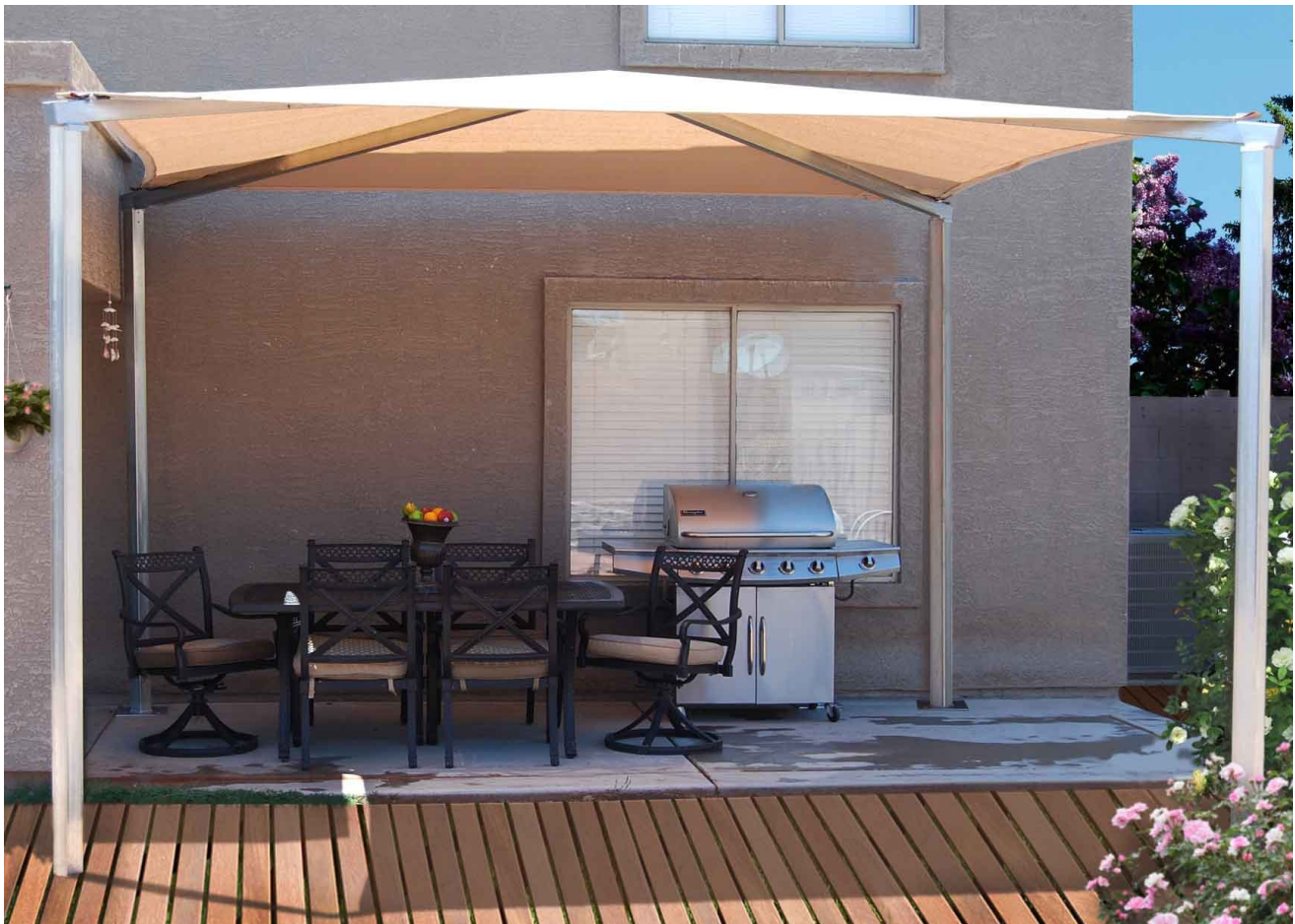




ASSEMBLY INSTRUCTIONS FOR SOFTOP SHADE COVER



Our unique assembly process quickly transforms individual pieces into a finished structure that will give you a lifetime of service. Great care has been taken to ensure complete satisfaction with your purchase. In the unlikely event that there are any missing or damaged parts, or if you simply need technical assistance, please call our **toll free number: 877-833-3237**. Your questions will be addressed promptly. Thank you for choosing Absolute Steel.

SAFETY AND HAZARD INSTRUCTIONS

CAUTION:

Read the following safety warnings and all instructions in their entirety, prior to installation. If you have questions or are missing any parts, please contact Absolute Steel customer service at 1-877-833-3237 before proceeding.

WARNING:

Metal parts may get hot when exposed to high heat or direct sunlight. Avoid contact with skin and wear protective gloves and clothing to prevent the possibility of burns.

WARNING:

Do not stand or walk on the structure. It is not designed to support human weight or the storage of materials on the roof. Collapse of the structure may cause serious injury due to weight of components.

WARNING:

Avoid installation on windy days, as wind may create hazards during the installation process. Wind may blow material or cause partially-installed components to collapse before they are secured or fully installed. The weight of the components or structure could cause serious injury if they were to collapse.

WARNING:

Metal conducts electricity and electrical shock hazards exist since the structure is made of metal. During installation or storage, keep the structure and all components away from electrical sources. Make sure that your selected location is away from power lines, underground cables, and any other source of electrical power. Serious injury or even death may occur if contact is made with electrical current.

WARNING:

If the structure is moved after its initial installation, be certain to inspect all components and conditions, and follow each and every step of these instructions to make certain the structure is securely anchored, properly installed, and aligned. Failure to follow these steps could lead to collapse of the structure and may result in serious risk of injury or even death.

WARNING:

Wear protective work gloves and suitable clothing for protection, and always take care when handling metal parts.

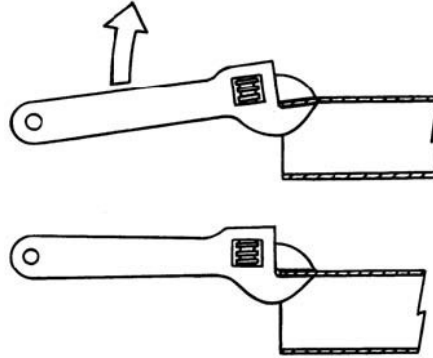
WARNING:

Always wear safety glasses or goggles when installing self-drilling screws.

ATTENTION:

**IT IS IMPORTANT THAT YOU READ THE FOLLOWING NOTE
BEFORE STARTING THE ASSEMBLY OF YOUR SHADE COVER**

NOTE: If, during the installation process, you have difficulty fitting frame components together, use an adjustable wrench to open end of receiving tube as shown below. Close wrench down around bent portion of tube and bend tube wall outward. If you are still having difficulty, focus on the four inside corners; flaring both sides of each one slightly will correct the problem.



WHAT YOU WILL NEED

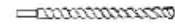
One must be able to comfortably reach the peak of the shade cover - approximately 10' high.



GLOVES



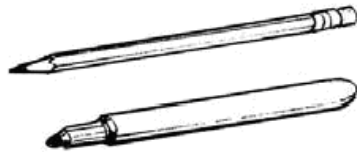
LEVEL



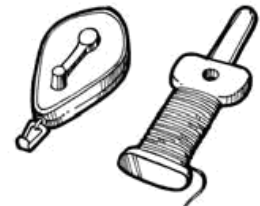
MASONRY DRILL BIT
1/2" x 8" DRILL DEPTH



ADJUSTABLE WRENCH



PENCIL AND/OR
FELT MARKER



CHALK LINE AND
MASON LINE OR
NYLON STRING



SOCKET WRENCH
& 9/16" SOCKET

TORQUE SETTING



14 OR 18 VOLT CORDLESS DRILL
OR ELECTRIC SCREW GUN
W/ 5/16" SOCKET DRIVE
(2500 RPM PREFERRED)

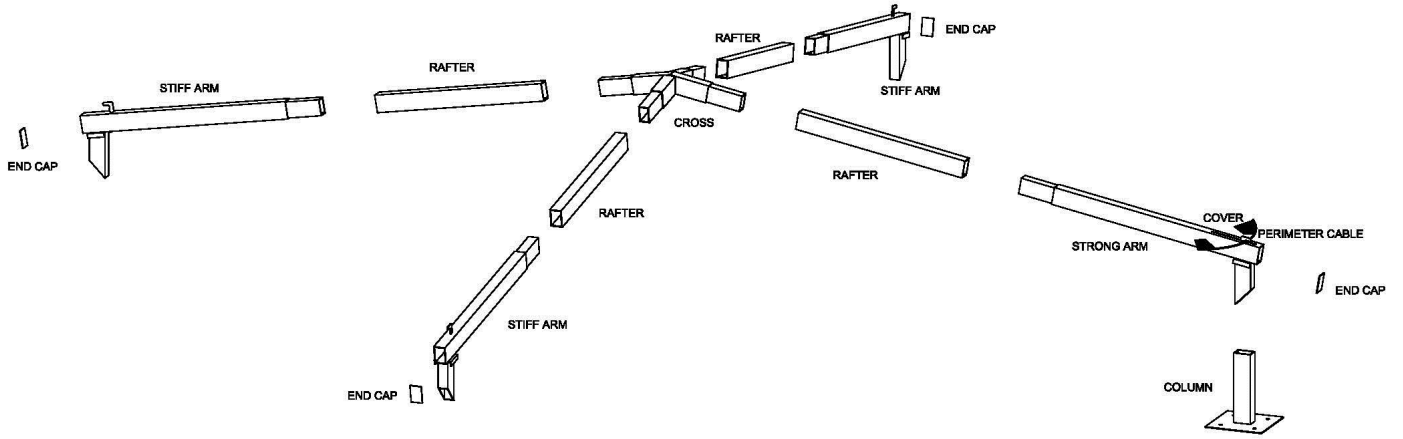


HAMMER DRILL



(2) STEP LADDERS

BASIC BRACKET AND COMPONENT LIST



**#12 x 1" SELF-DRILLING
FRAME / TEK SCREW**



**5/8" x 5" CONCRETE
WEDGE ANCHOR**



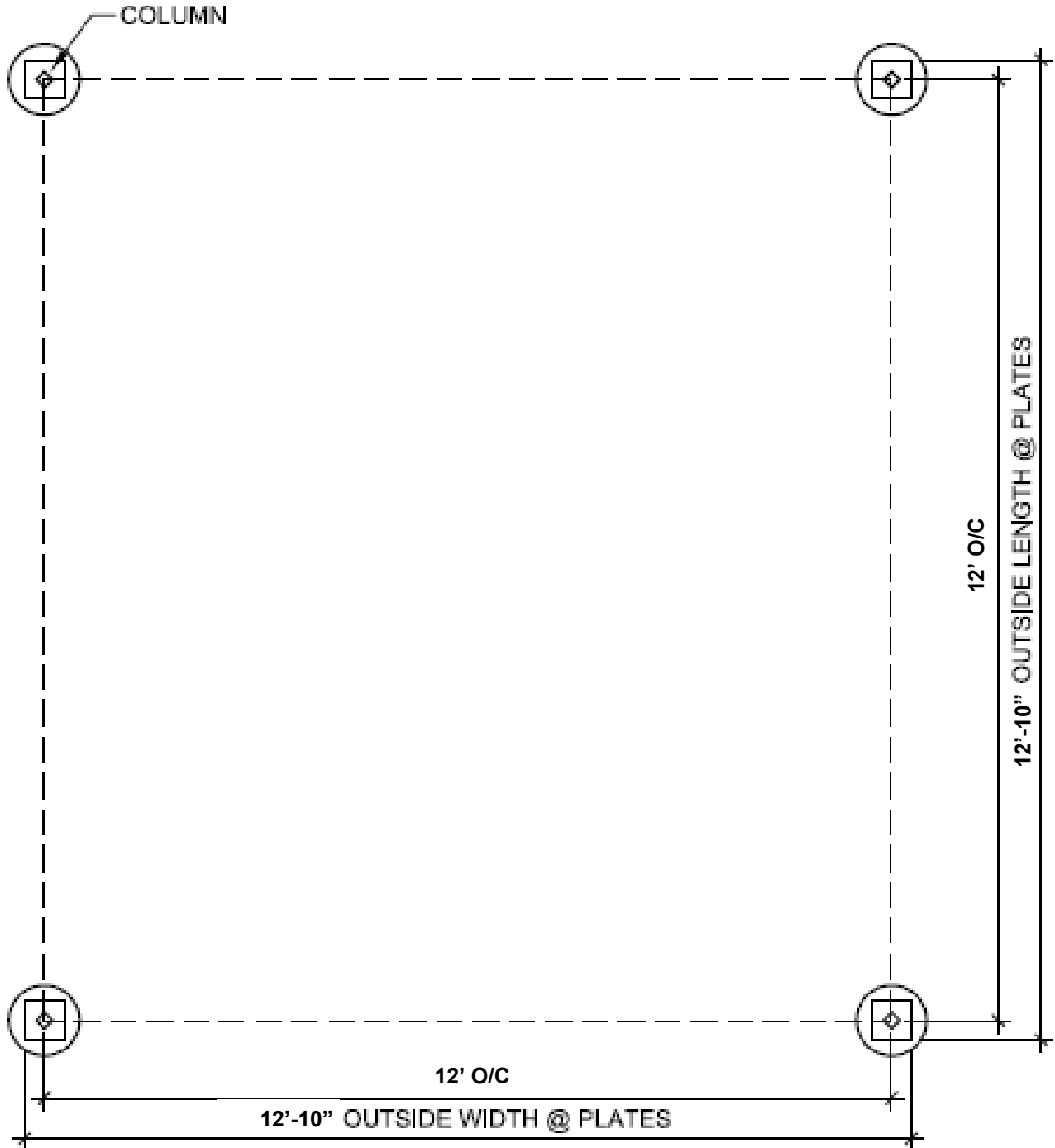
SITE PREPARATION

FOUNDATION:

The Absolute Steel SofTop shade cover frame is designed to be placed on a foundation that is level side to side and front to back. The foundation should be **prepared ground** (*leveled and re-compacted*), or a concrete slab with **caisson or spread footings**. It is important that you create this condition prior to installing your carport.

We recommend that you check with your local building official prior to starting your project, to find out what is acceptable for foundations and anchoring in your city and/or county.

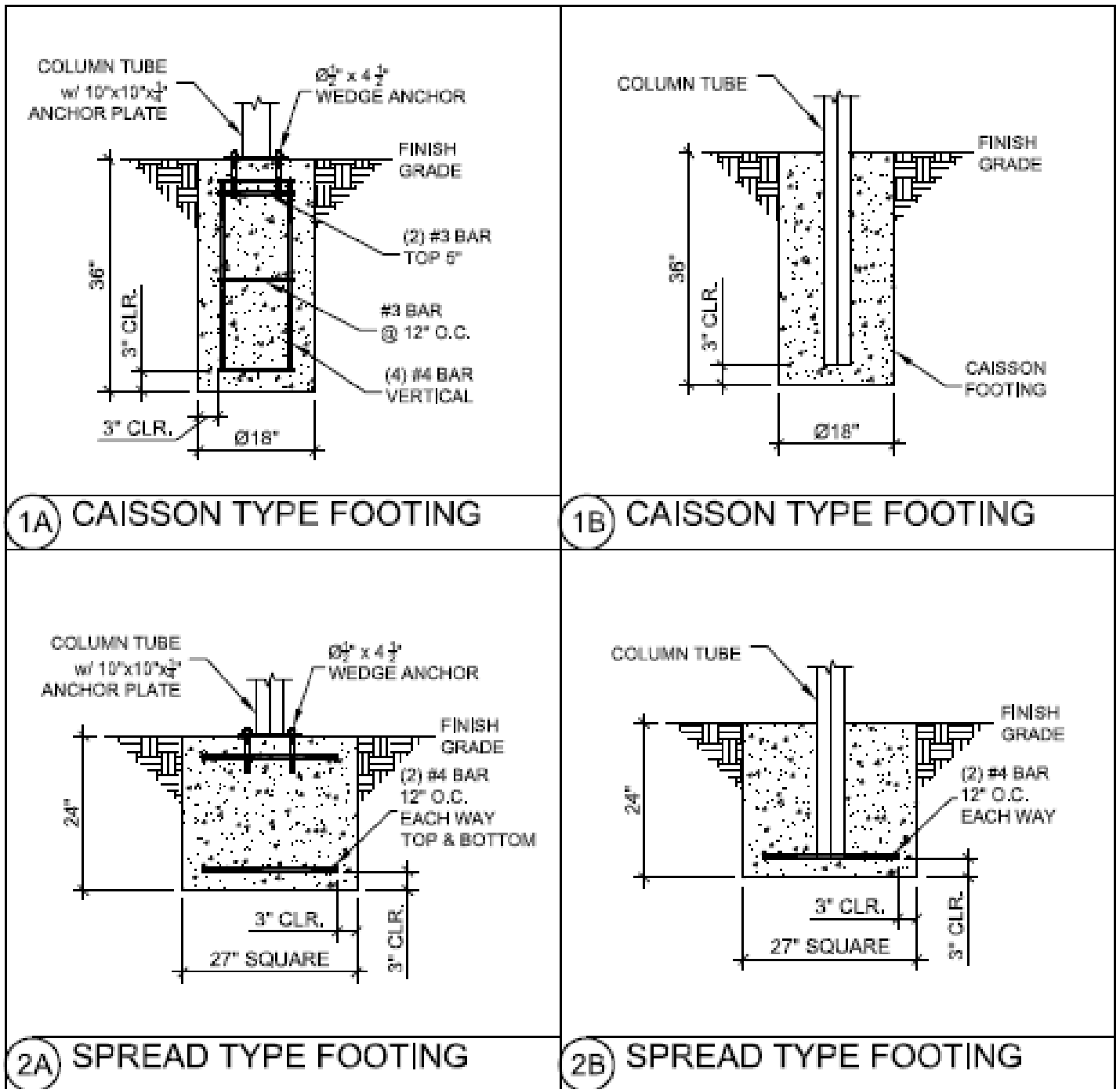
The outside dimension layout is 12'-10" x 12'-10" as shown in the site layout diagram below. Use a string line and stakes (ground mount), or a chalk line (concrete mount) as a guide for aligning the columns and squaring the structure. Make reference marks (spray paint, felt marker, or chalk) for column locations.



SITE PLAN

FOOTINGS

Footings details are shown below.



SETTING COLUMNS

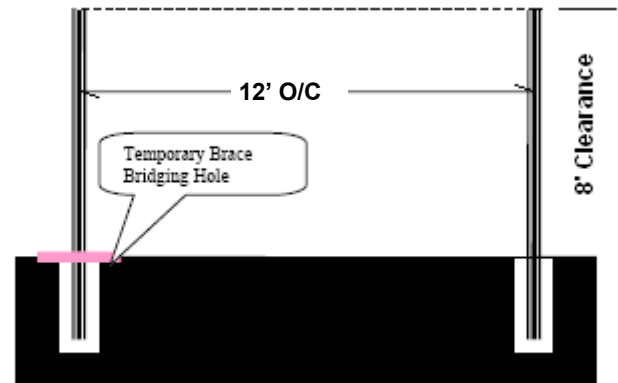
Ground Mount

1. Set columns in prepared holes.
2. Use a string line at ground level and on the tops of the columns; measure in between to obtain the desired dimensions. A line level will also work well.
3. Check the diagonal measurements as well as the width and length layout measurements to ensure the structure is square.
4. Fill holes with concrete and position the columns in the holes using the string lines as a guide. Use a level on two sides of the column to plumb the column.

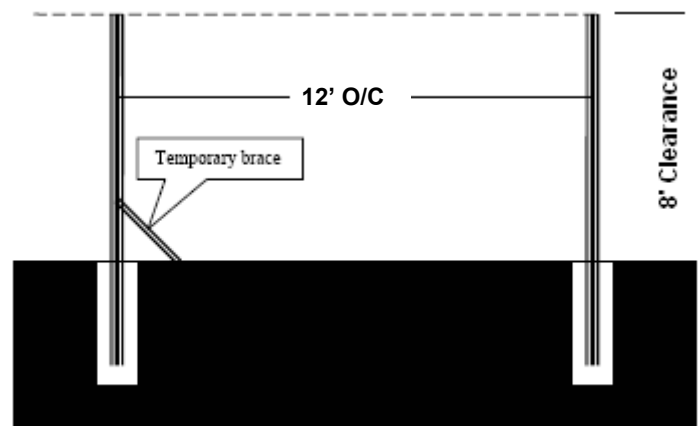
Various methods can be used to hold the columns in position until the concrete cures. Wood 1x4's or steel angle iron clamped or temporarily screwed to the columns in a tripod fashion (one horizontal across the hole and one diagonal) is a proven method.

Concrete Mount

1. Position columns and align with chalk lines as described earlier. The layout described in the previous page is for columns with plates - adjust accordingly.
2. Use a felt marker to locate the areas that need to be drilled.
3. Drill concrete using a "Rotohammer" or "Hilti" style hammer drill. You will need a 5/8" x 8" bit if you plan to use the anchors provided.
4. Place the flat washer and nut on the anchor with a couple of threads exposed, and position it through the base plate into the drilled hole. Seat with hammer.
5. Tighten the four nuts until they are snug. If the concrete is not level, you may have to use a shim between the base plate and concrete to plumb the column.



Front View



Side View

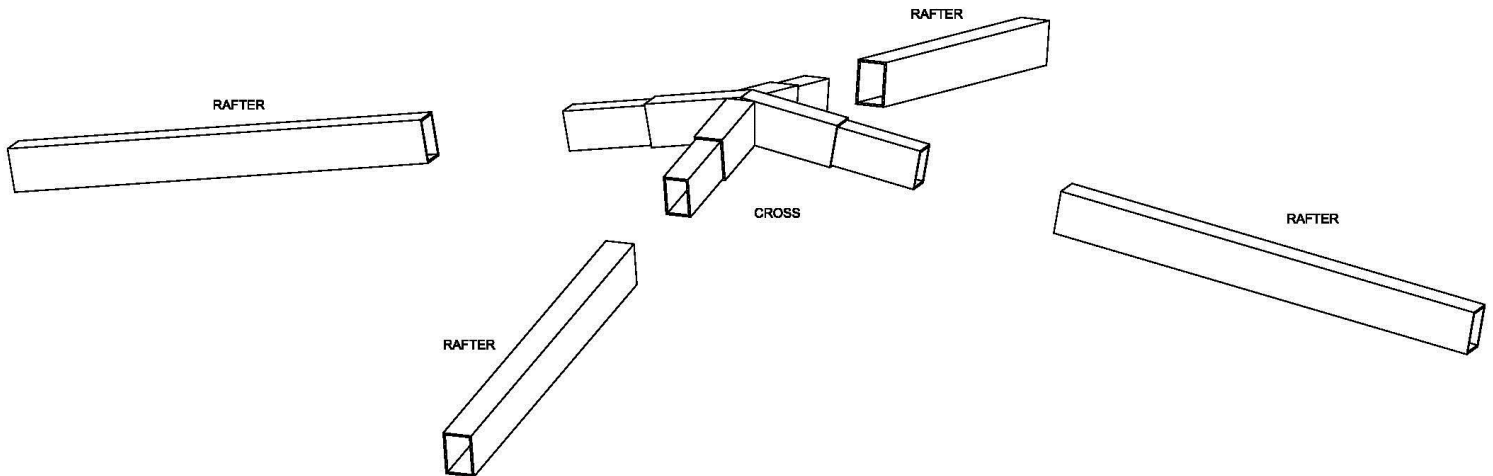
**CAUTION: DO NOT LEAVE COLUMNS UNATTENDED WITHOUT PROPER BRACING.
THEY COULD FALL, CAUSING INJURIES AND/OR PROPERTY DAMAGE.**

FRAME ASSEMBLY (CROSS BRACKET AND RAFTERS)

To begin assembling your structure, separate the pieces and lay them out in the center of the columns. Then refer to the diagrams in the following pages and proceed as follows:

1. Insert rafter onto cross bracket leg, and secure in place with four #12 Tek screws on each wide side of rafter. (*Make certain the rafter is in line with cross bracket leg*).
2. Repeat Step1 for remaining rafters.
3. Place end cap on each end of cross bracket.
4. Proceed to next step of process (next page).

SAFETY NOTE: ALWAYS WEAR YOUR SAFETY GLASSES AND EAR PROTECTION.

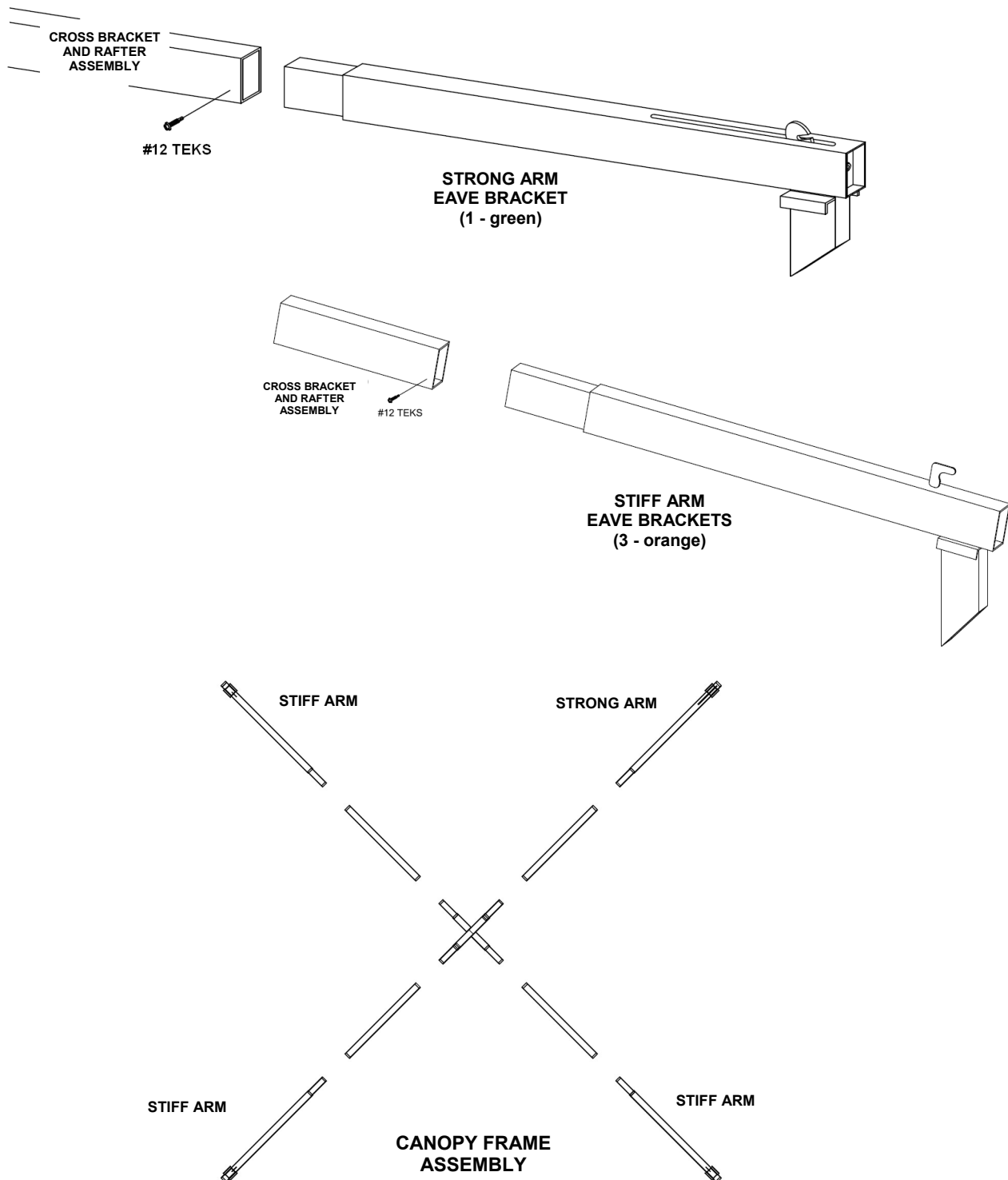


FRAME ASSEMBLY - CONTINUED

To continue assembling your structure, attach the strong arm eave bracket (strong arm) and three stiff arm eave brackets (stiff arms) to cross bracket and rafter assembly. Refer to the diagrams on the following pages, and proceed as follows:

1. Insert strong arm eave bracket into cross bracket / rafter assembly, and secure in place with four #12 Tek screws on each wide side of the rafter. (*Make certain strong arm stays in line with rafter.*)
2. Repeat Step 1 for the 3 stiff arm eave brackets.
3. Proceed to next step of process.

SAFETY NOTE: ALWAYS WEAR YOUR SAFETY GLASSES AND EAR PROTECTION.



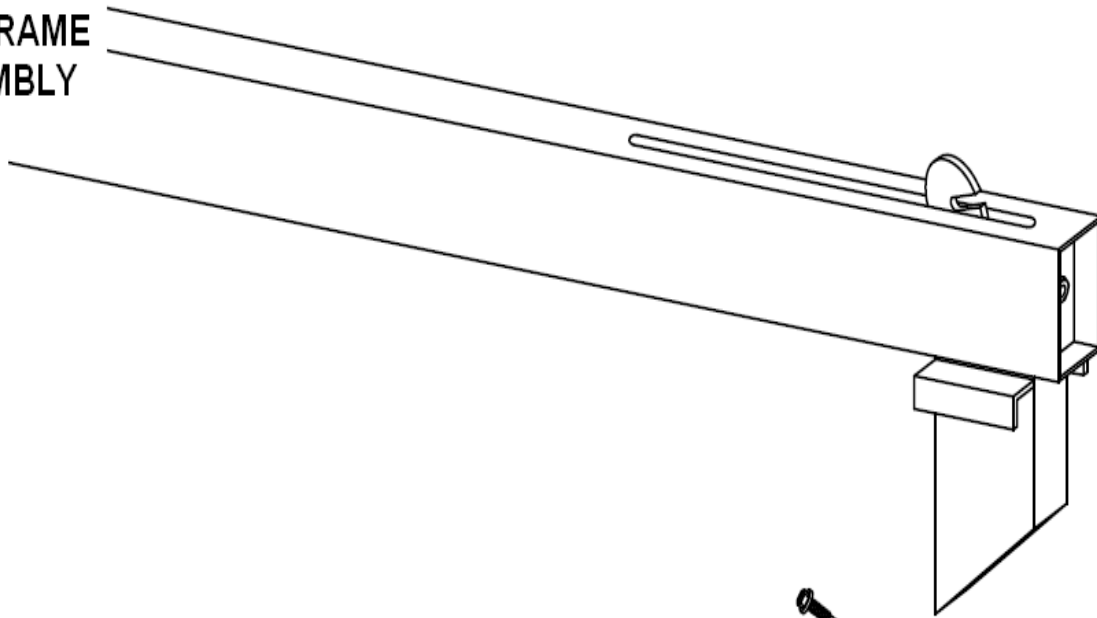
FRAME ASSEMBLY - CONTINUED

You will need two people for the next steps.

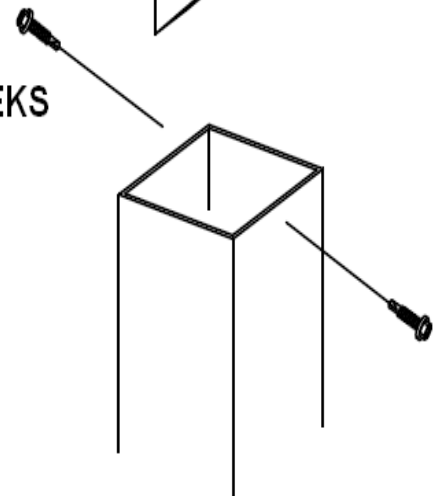
The roof assembly should be placed at the base of the columns.

1. With step ladders in place, grasp two ends of the roof assembly and carry up the ladders. Position assembly at top of the column. (Carrying the assembly in the crook of your arm and using the other hand to hold on to the ladder is a proven method).
2. Insert the downward leg of one arm (strong arm or stiff arm) into top of its column.
3. Repeat Step 2 at each of the remaining corners. *Roof assembly should fall into place; adjust as needed.*
4. Secure assembly into place using four #12 Tek screws on front and back of each column.

MAIN FRAME
ASSEMBLY



#12 TEKS



COLUMN

INSTALLING SHADE CANOPY

You will need two people for this final part of the installation. Follow the instructions, and use the diagrams in the following pages as a guide.

SAFETY NOTE: ALWAYS WEAR YOUR SAFETY GLASSES AND EAR PROTECTION

Canopy Assembly

The Absolute Steel SofTop shade cover comes with a fabric canopy, and two perimeter cables for securing the canopy in place.

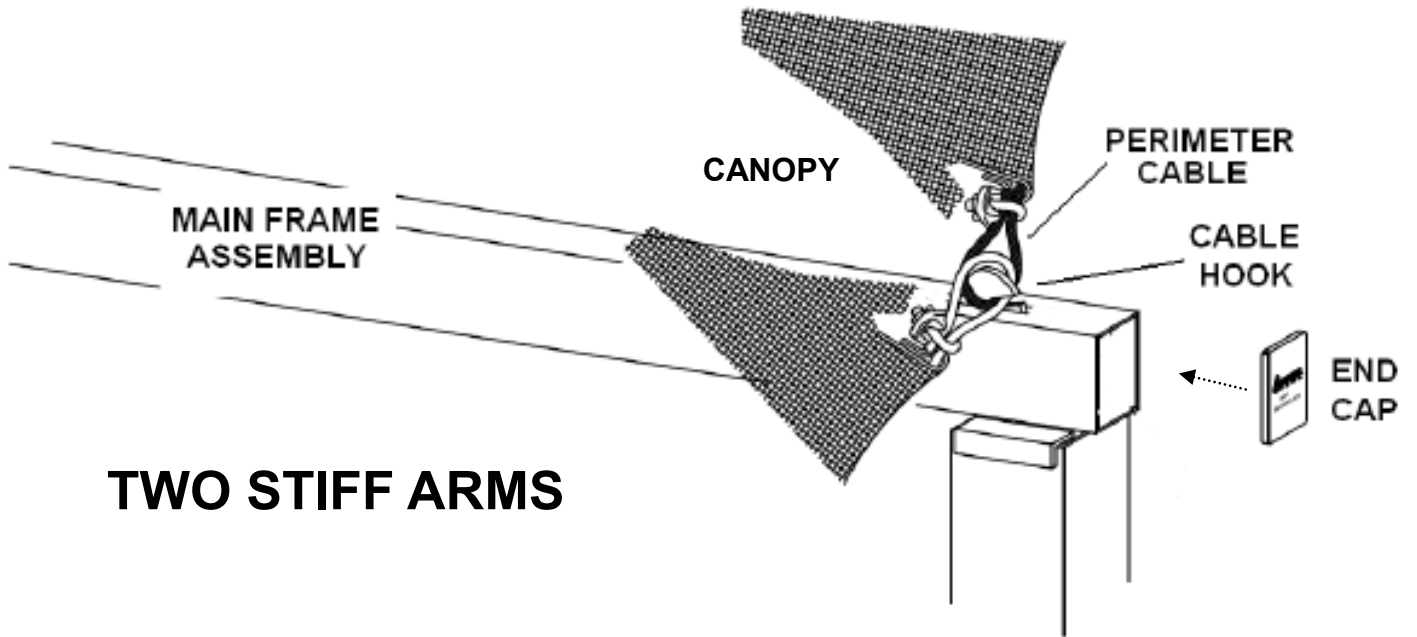
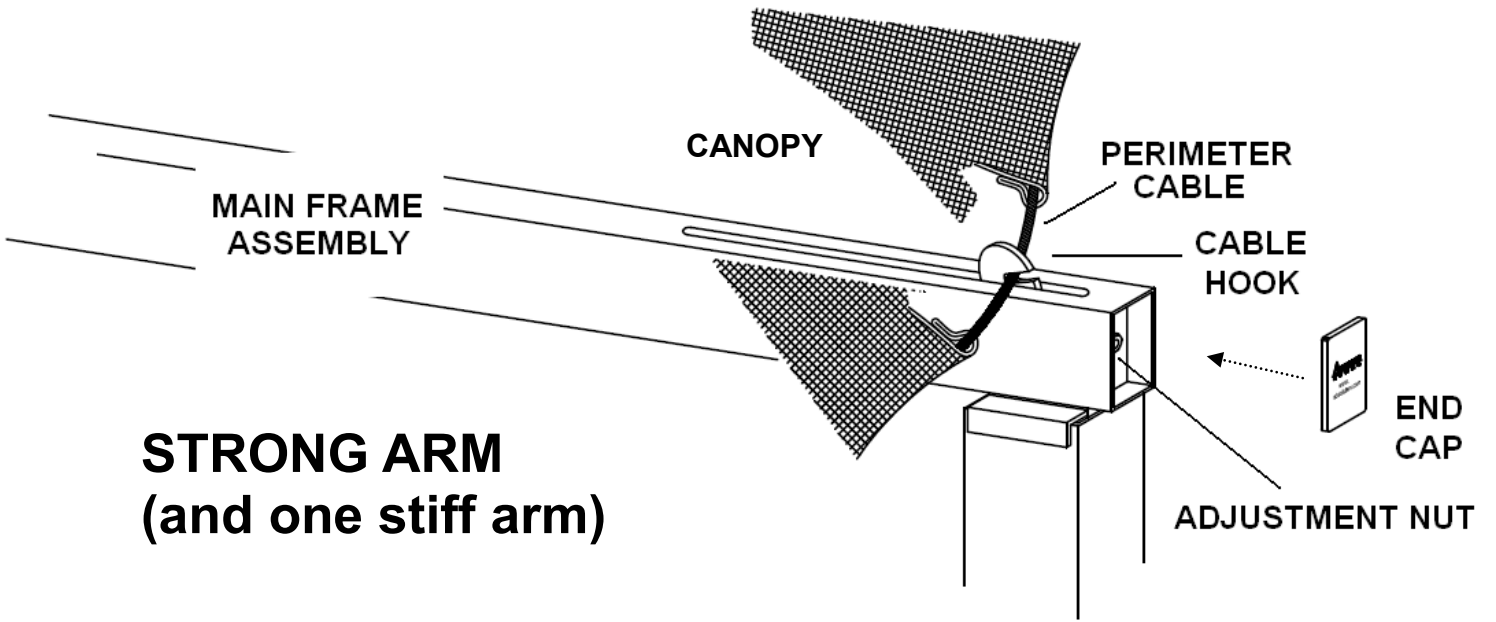
1. Starting at one corner of the canopy, feed one perimeter cable through one side of canopy.
2. Once cable is through the first section, pull through until cable end loop is at the starting point corner.
3. Next, feed the remaining section of cable through the adjacent side.
4. Once cable is through the second section, pull until all cable slack is through.
5. Take about 4" of the cable end and make a loop. Secure using cable end clamp - see photo below.
6. Repeat Steps 1 through 5 for second cable on opposite sides.

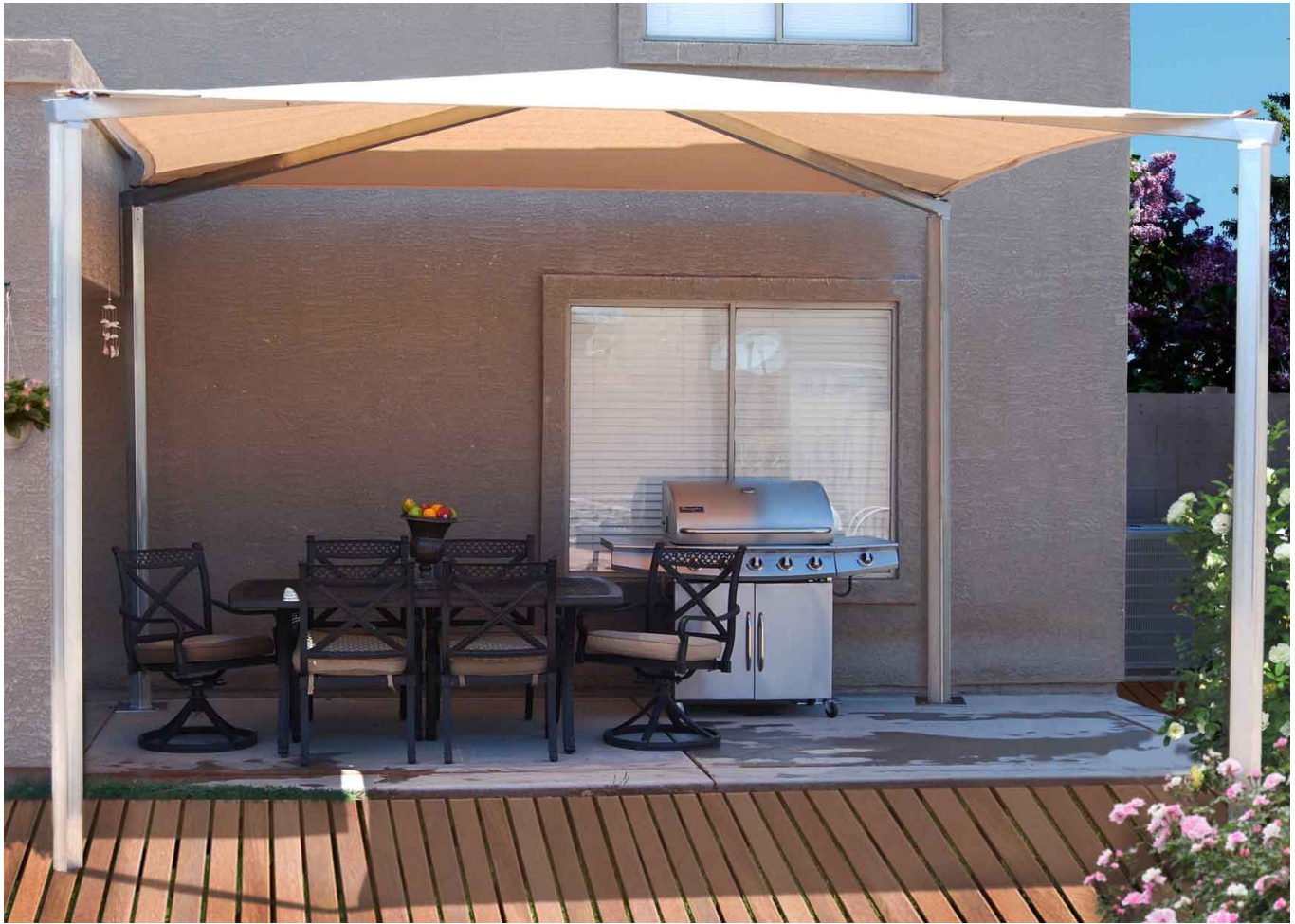


Canopy Placement

With the SofTop canopy assembled and ready, place step ladders near the center of carport and in line with rafters.

1. Position the canopy so that one of the corners with no **loops** will end up at rafter assembly corners with the **strong arm**. Carry canopy over roof rafter, and pull over until half of canopy hangs over each side.
2. Taking care not to pull canopy off, spread out over entire frame. (*To keep from pulling canopy off, each person should pull along diagonal*).
3. At the corner with the strong arm, insert cable through the cable hook on the top of the strong arm. (See illustration on the next page.)
4. Place cable end loops onto cable hooks on the stiff-arm corners; do the same with the cable at the remaining non-loop corner. (See illustration on the next page.)
5. Using a socket wrench and 9/16" socket, tighten adjustment nut in the end of the **strong arm**, taking up about 1/3 to 1/2 of the adjustment length available.
6. Adjust canopy, cables and strong-arm adjustment nut at the corners as needed to position canopy evenly and with firm tension.
7. Once canopy is secured into place, place an end cap in each arm's end.





Have a question or comment?

Need technical assistance?

Give us a call (toll free) at **877-833-3237**. We'll be glad to help.

Thank you for choosing

